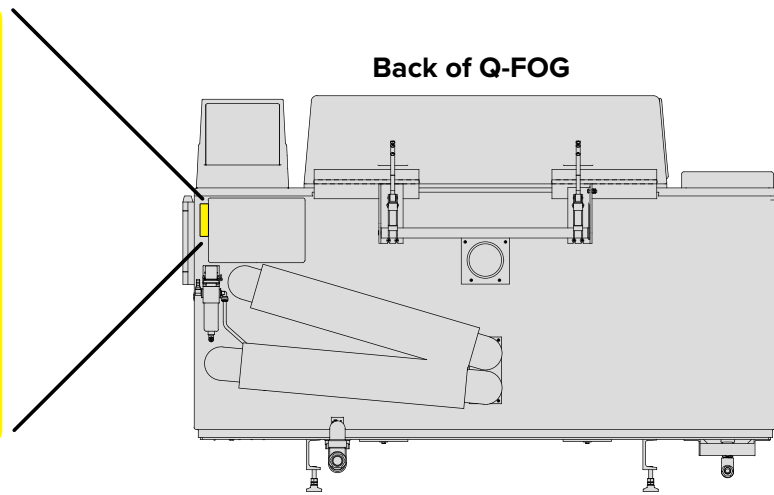
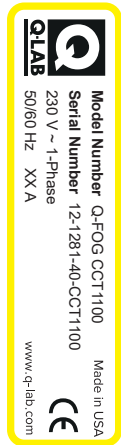




# Locating the Serial Number on Q-Lab Weathering and Corrosion Testers

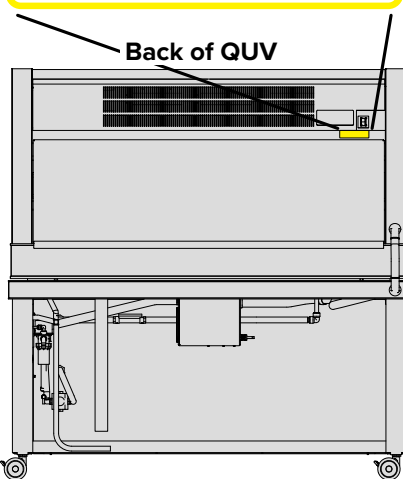
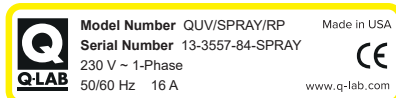
## Q-FOG

Corrosion Chambers (all models):



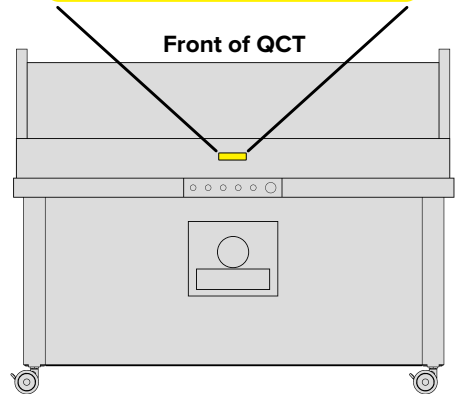
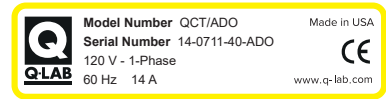
## QUV

Accelerated Weathering Testers (all models):



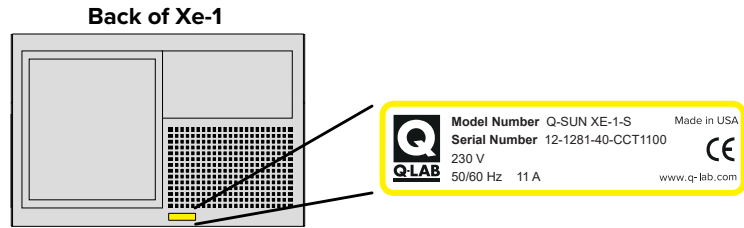
## QCT

Condensation Tester:

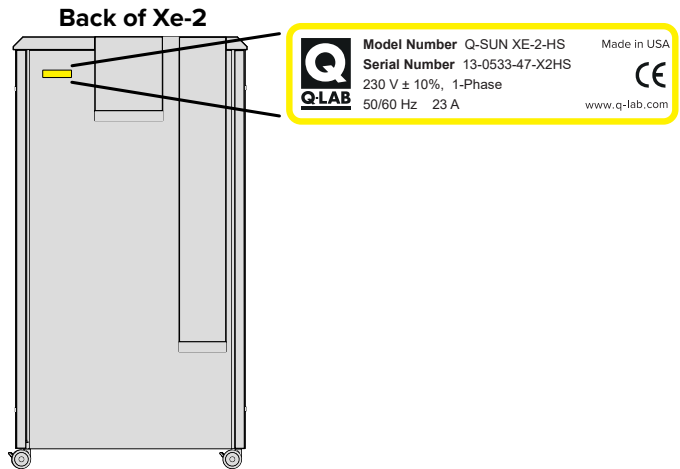




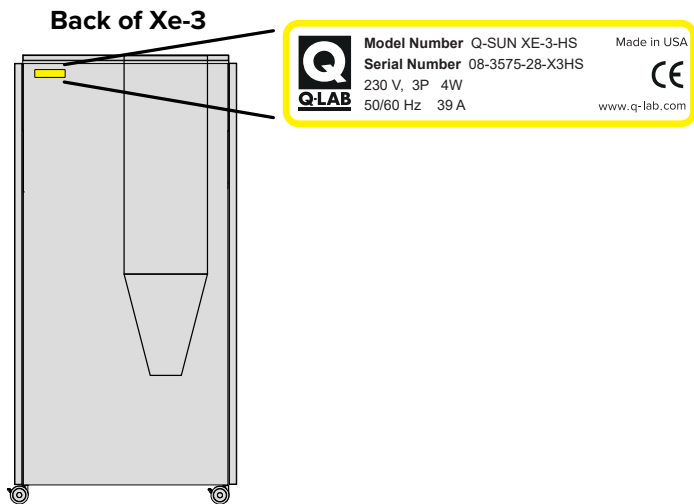
## Xe-1 Xenon Test Chamber



## Xe-2 Xenon Test Chamber



## Xe-3 Xenon Test Chamber



Q-Lab Corporation

[www.q-lab.com](http://www.q-lab.com)



**Q-Lab Headquarters**  
Westlake, OH USA  
Tel: +1-440-835-8700  
[info@q-lab.com](mailto:info@q-lab.com)

**Q-Lab Florida**  
Homestead, FL USA  
Tel: +1-305-245-5600  
[q-lab@q-lab.com](mailto:q-lab@q-lab.com)

**Q-Lab Europe, Ltd.**  
Bolton, England  
Tel: +44-1204-861616  
[info.eu@q-lab.com](mailto:info.eu@q-lab.com)

**Q-Lab Arizona**  
Buckeye, AZ USA  
Tel: +1-623-386-5140  
[q-lab@q-lab.com](mailto:q-lab@q-lab.com)

**Q-Lab Deutschland GmbH**  
Saarbrücken, Germany  
Tel: +49-681-857470  
[vertrieb@q-lab.com](mailto:vertrieb@q-lab.com)

**Q-Lab China** 中国代表处  
Shanghai, China 中国上海  
电话: +86-21-5879-7970  
[info.cn@q-lab.com](mailto:info.cn@q-lab.com)